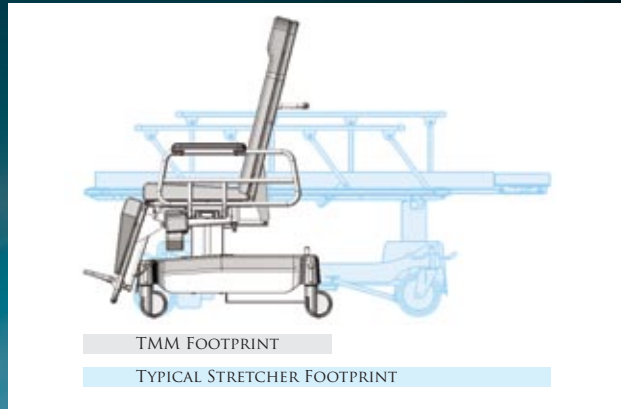


Space Saving Footprint



The TMM4 Series Chair's small footprint is making a large impression in the medical market. When in seated position, the TMM4 requires half the space of a traditional stretcher and is easy to navigate through hallways, rooms, elevators and other close quarters. Its small footprint allows for more units to be available for patients as well as easier storage.

The TMM4 also leaves a footprint on the financial bottom line. By reducing the number of transfers, both patient throughput and revenue is increased and the likelihood of incurring workers compensation costs is reduced.



TMM4 STRETCHER-CHAIR PACKAGES:

Package chairs are specific to medical specialty and cost less than ordering the chair with these options and accessories individually. Packages available in Blue Fashion II Fabric only.



TM8 TMM4-WQB or WTQB TRIAGE CHAIR PACKAGE

OPTIONS

- W - Wide Width
- (T - Tall Column)
- Q - Ingrated Scale
- B - Battery

ACCESSORIES

- Head Pillow
- Chest Cassette Holder
- Armboard - Seated Position
- Belt
- Telecoping I.V. Pole
- O₂ Holder
- Foot Rest Pad

TM11 TMM4-XWTRFB OUTPATIENT SURGERY CHAIR PACKAGE

OPTIONS

- X - Seat Tilt
- W - Wide Width
- T - Tall Column
- R - Upper Rails (No Radiolucent Back)
- F - Manual Self-Storing Foot Rest
- B - Battery

ACCESSORIES

- Head Pillow
- Belt
- Telecoping I.V. Pole
- O₂ Holder

General Specifications

MODELS	TMM4-B	TMM4-WTB	TMM4-XB	TMM4-LB	TMM4-TLB
SEAT HEIGHT - LOW (BELOW CUSHION)	21"/54 CM	21"/53 CM	21"/54 CM	20"/50 CM	19"/49 CM
SEAT HEIGHT - LOW (ABOVE CUSHION)	25"/64 CM	25"/62 CM	25"/64 CM	24"/60 CM	23"/58 CM
SEAT HEIGHT - HIGH	33"/84 CM	40"/106 CM	33"/84 CM	32"/80 CM	39"/100 CM
PATIENT SEAT WIDTH	24"/61 CM	28"/71 CM	24"/61 CM	24"/61 CM	24"/61 CM
PATIENT SURFACE LENGTH	77"/195 CM	77"/195 CM	72"/184 CM	72"/184 CM	72"/184 CM
OVERALL WIDTH	30"/76 CM	34"/87 CM	30"/76 CM	30"/76 CM	30"/76 CM
OVERALL CHAIR HEIGHT - HIGH	62"/157 CM	70"/178 CM	63"/159 CM	62"/157 CM	68"/174 CM
OVERALL CHAIR HEIGHT - LOW	54"/137 CM	54"/137 CM	55"/139 CM	52"/131 CM	52"/133 CM
MAX PATIENT WEIGHT	500 LBS/227 KG	500 LBS/227 KG	500 LBS/227 KG	500 LBS/227 KG	500 LBS/227 KG
BACKREST ARTICULATION	0° - 75°	0° - 75°	0° - 86°	0° - 75°	0° - 75°
RADIOLUCENT BACK (W X H)	20" X 25.5" / 51 CM X 65 CM	24" X 25.5" / 61 CM X 65 CM	20" X 25.5" / 51 CM X 65 CM	20" X 25.5" / 51 CM X 65 CM	20" X 25.5" / 51 CM X 65 CM
TRENDELENBURG	5°	5°	20°	5°	5°
REVERSE TRENDELENBURG	0°	0°	5°	0°	0°
SIDE RAILS - HEIGHT	13"/32 CM	13"/32 CM	13"/32 CM	13"/32 CM	13"/32 CM
SIDE RAILS - LENGTH	26"/66 CM	26"/66 CM	26"/66 CM	26"/66 CM	26"/66 CM
CHARGING SYSTEM					
INPUT - VOLTS	100-240VAC	100-240VAC	100-240VAC	100-240VAC	100-240VAC
- CURRENT	1.0A (MAX)	1.0A (MAX)	1.0A (MAX)	1.0A (MAX)	1.0A (MAX)
- FREQUENCY	50/60 HZ	50/60 HZ	50/60 HZ	50/60 HZ	50/60 HZ
OUTPUT	+24V DC 1.5A	+24V DC 1.5A	+24V DC 1.5A	+24V DC 1.5A	+24V DC 1.5A
MAX POWER	36.0W	36.0W	36.0W	36.0W	36.0W
CUSHION FLAMMABILITY RATING	TB-117	TB-117	TB-117	TB-117	TB-117

Scale (Q) Specifications

- SCALE READOUT DISPLAY: HAND HELD W/ COIL CORD
- SCALE WORK LOAD: 500 LBS/227 KGS
- ACCURACY: 0.2% OF PATIENT WEIGHT OR 0.2 LB WHICHEVER IS GREATER
- REPEATABILITY: 0.2% OF PATIENT WEIGHT OR +/-0.2 LB WHICHEVER IS GREATER
- WEIGHS FROM 25 LBS TO 500 LBS IN SEATED OR SUPINE POSITIONS
- FOR THE MOST ACCURATE READING OF PATIENT'S WEIGHT, PLACE THE UNIT IN THE SEATED, UPRIGHT POSITION.
- DISPLAY RESOLUTION: 0.1 LB/0.1 KG
- DISPLAY TYPE: 16 CHARACTER DOT MATRIX LCD
- DISPLAY MODES: POUNDS/KILOGRAMS/WEIGHT
- SCALE READOUT STORAGE: VINYL COATED BRACKETS ON BACK OF CHAIR
- POWER SUPPLY: STANDARD 9V BATTERY. REPLACE BATTERY ANNUALLY.



ISO 9001:2008 CERTIFIED PATENTED

Free Demonstrations Available

TransMotion Medical, Inc. is a subsidiary of **EBO Group** Employee Owned Companies **ESOP**
* BROCHURE CONTENT SUBJECT TO CHANGE WITHOUT NOTICE. 0312 8.000



Safe Patient Handling

TMM4 MULTI-PURPOSE STRETCHER-CHAIR SERIES

TransMotion Medical is committed to reducing staff injury and patient fall risk and improving patient throughput. This can be achieved with pendant controlled motorized positioning. The TMM4 converts from chair to stretcher with back, leg and height adjustment at the push of a button. It's a chair, transport device, procedure table and stretcher all in one! It can be configured for departmental needs through a variety of options and accessories. The TMM4 is designed for many departments some of which include:

- EMERGENCY/TRIAGE
- RADIOLOGY
- CRITICAL CARE/ICU
- OUTPATIENT SURGERY
- ENDOSCOPY/G.I.
- AUDIOLOGY
- RESPIRATORY - BRONCHOSCOPY
- WOUND CARE
- TRANSPORT
- ENT
- DIALYSIS



One Patient, One Surface™ from admission to discharge.

- Eliminate patient transfers
- Eliminate manual patient positioning
- Reduce staff injury and patient fall risk

WWW.TRANSMOTIONMEDICAL.COM

866-860-8447 • info@transmotionmedical.com
Sharon Center, OH



WWW.TRANSMOTIONMEDICAL.COM

1441 Wolf Creek Trail • P.O. Box 302 • Sharon Center, OH 44274
Phone: 866-860-8447 • Fax: 330-590-8111 • info@TransMotionMedical.com

TMM4 MULTI-PURPOSE STRETCHER-CHAIR SERIES

Standard Features – All Models

- **500 LB PATIENT WEIGHT CAPACITY**
- **FULL RADIOLUCENT BACK SECTION** allows for X-Ray, C-Arm and fluoroscopic procedures.
- **SELF-STORING PUSH BARS** swing down for unobstructed view of patient
- **QUICK CHANGE BATTERY – (B)** Two battery packs come with each chair allowing one battery to always be charging on a wall mount battery charger, also included
- **MANUAL QUICK RELEASE BACKREST** for emergency CPR function
- **EXCEPTIONAL MOTORIZED PATIENT POSITIONING** accomplished by a hand held pendant for back, leg and low-high adjustment. Includes an auto-contour button which automatically positions the chair from seated to the fully reclined position. Includes 5° Trendelenburg.
- **ALL METAL SURFACES** for a long durable life
- **CUSHIONED CHROME SIDE RAILS** that swing down and tuck away makes patient egress easier and safer
- **CUSHIONS** with memory foam for enhanced patient comfort
- **AUTO-EXTENDING FOOT REST** improves patient comfort in all positions
- **EASY MOBILITY** brake and steer caster system



Base Options



DOUBLE COLUMN STANDARD - SEAT HEIGHT - 25" - 33"

TRIPLE COLUMN T - TALL SEAT HEIGHT - 24" - 40"

Back Options



STANDARD - 24" WIDTH

W - WIDE 28" WIDTH

G - REMOVABLE HEADPIECE FOR ENG TESTS (NOT AVAILABLE WITH RADIOLUCENT BACK)

Leg Section Options



STANDARD - AUTO EXTENDING FOOT REST

NO FOOT REST (AVAILABLE WITH X OPTION ONLY)

F - MANUAL SELF-STORING FOOT REST

Rehabilitation
Emergency
Outpatient
Surgery
Transport

Triage
ENT
Radiology
Audiology

L - LOWER SEAT HEIGHT (24"-32" / SHORTERLEG SECTION)



R - UPPER RAILS (NOT AVAILABLE WITH RADIOLUCENT BACK)

TMM4-X



X - SEAT TILT

Featuring the sought after reclined and knee-flex positioning perfect for many outpatient surgery procedures and pressure point relief for patients

How an "X" differs from a standard TMM4:

- 3" LONGER WHEEL BASE
- BRAKES LOCATED IN MIDDLE
- 73" PATIENT SURFACE LENGTH
- NO FOOT REST
- STANDARD IS 20° OF FULL BODY TRENDLENBURG TO 5° REVERSE TRENDLENBURG. IF "R" - UPPER RAILS ARE ADDED TO "X" OPTION, IT REDUCES TRENDLENBURG BY 10°.
- SCALE NOT AVAILABLE WITH X OPTION
- 10-BUTTON PENDANT



A - PLUG-IN



E - EXPORT PLUG-IN



Q - SCALE

ALL TMM STRETCHER-CHAIRS COME IN BLUE FUSHION II 4-WAY STRETCH FABRIC. OPTIONAL COLORS, CUSTOM COLOR VINYL, AND ACCESSORIES ALSO AVAILABLE FOR PURCHASE.
Visit our web site:
WWW.TRANSMOTIONMEDICAL.COM